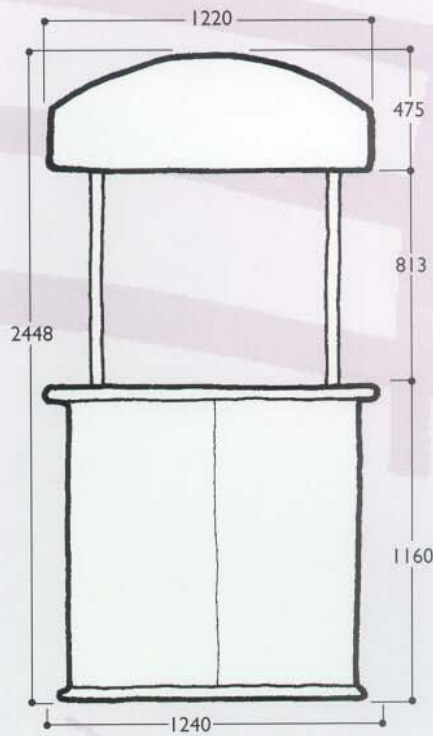
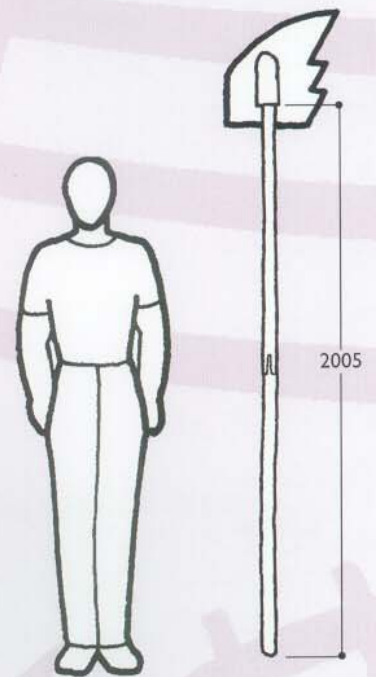


CHAMPION PROMOTOR

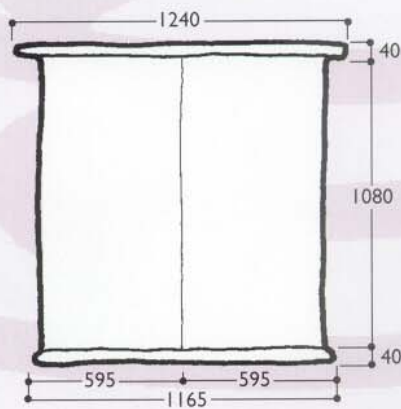
CHAMPION PROMOTOR, 1160mm high, and 1240mm wide, is the largest member of our family. This makes it very different from all the other Promotors, having a curved bar shaped, smooth top, and a full size ingeniously designed working surface 250mm below the top. If required an additional work top can be supplied for use as a shelf, providing extra storage space inside Champion Promotor. The body panel, like Classic Promotor, is hinged in two segments to the front and one for either side which allows the body to fold even smaller than Promotor Plus for simplicity and ease of transportation in its own tailor made black nylon carry bag. Champion Promotor has a fascia made from 3mm Forex with self-adhesive hollow plastic fixings and it reflects the top in its shape.



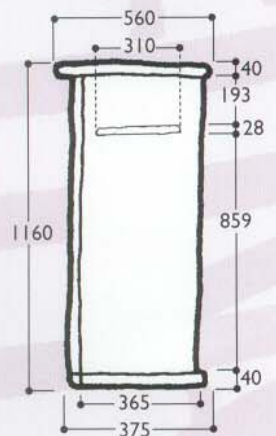
BODY WITH FASCIA



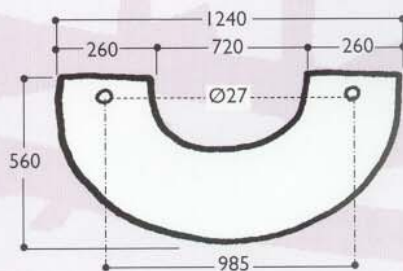
POLES (J)



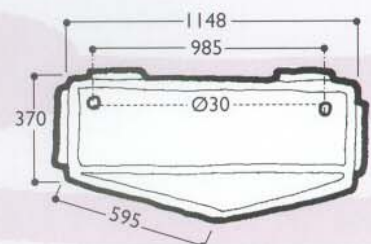
FRONT



SIDE
WORK TOP

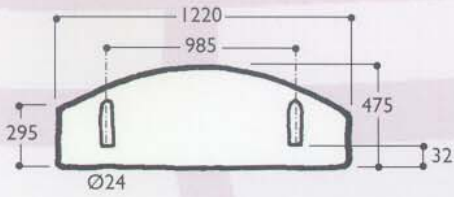


TOP

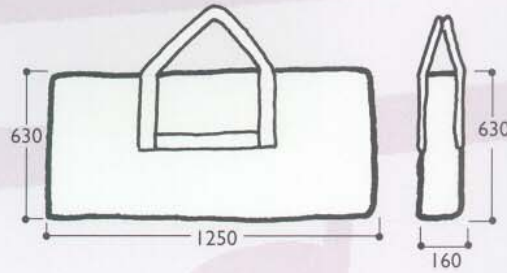


WORK TOP / SHELF

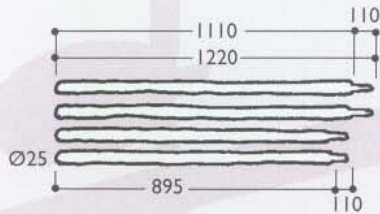
Specifications



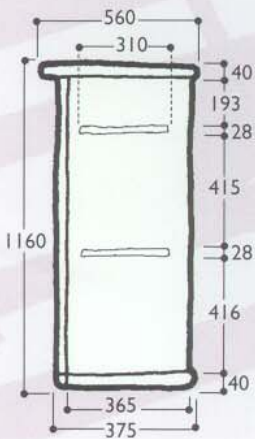
FASCIA



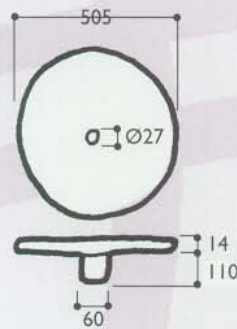
BAG



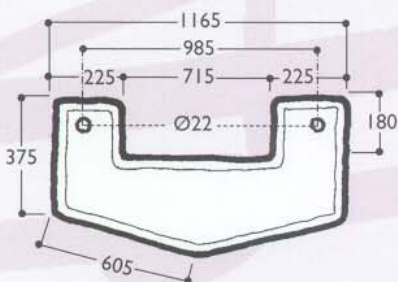
POLES



SIDE
WORK TOP
& SHELF



TRAY



BOTTOM

WEIGHTS

	Kg
Top	2.72
Work Top/ Shelf	1.68
Bottom	1.30
Body Sheet	6.90
Pole Set (4 pieces)	2.42
Fascia	1.28
Round Tray	0.90
Bag	1.58

PACKING

Individual Carton4.00

1250mm x 625mm x 215mm

Round Tray0.45

525mm x 525mm x 85mm

Bulk packaging, dimensions and weight dependent on number of units required.

