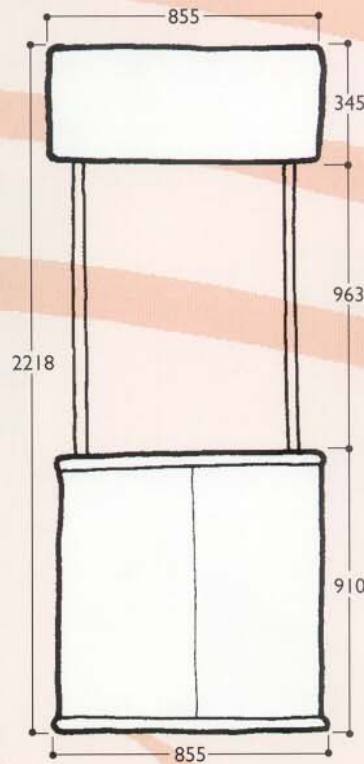


# CLASSIC PROMOTOR

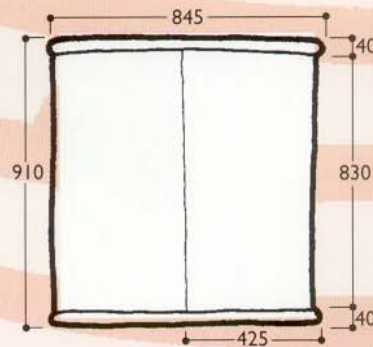
CLASSIC PROMOTOR a direct development from the "Original" Promotor, incorporating new ideas and improvements. "Foot well" shaped bottoms have "top hat" pole recesses for ease of moving the assembled unit, the standard tops or the rigid "stiftop" with its permanently bonded lightweight plaque for extra strength are available with a choice of one, two or no holes. Fascia panels for Classic, Bonus, Maxi and Mini Promotors have rounded corners and special hollow plastic self-adhesive fixings to the back so fixings are totally invisible from the front. We can supply our standard shape 3mm Forex fascias complete or with fixings separate to allow printing direct onto the panels before final assembly; alternatively we can supply fixings only so that you can produce Forex fascia panels to virtually any shape your client requires. New to this product is our simple to assemble roof kit, formed in 3mm Forex, available in colours from the standard Forex range.



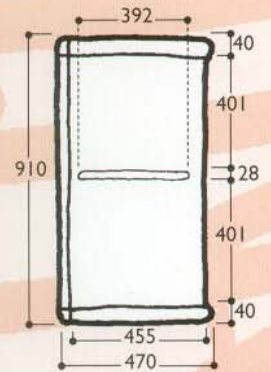
BODY WITH FASCIA



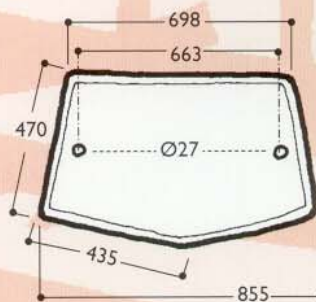
POLES (H)



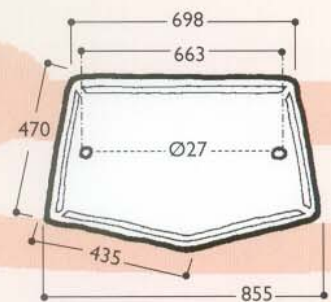
FRONT



SIDE I SHELF

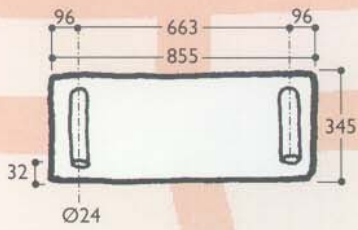


TOP

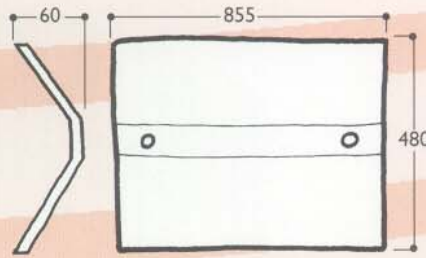


STIFTOP

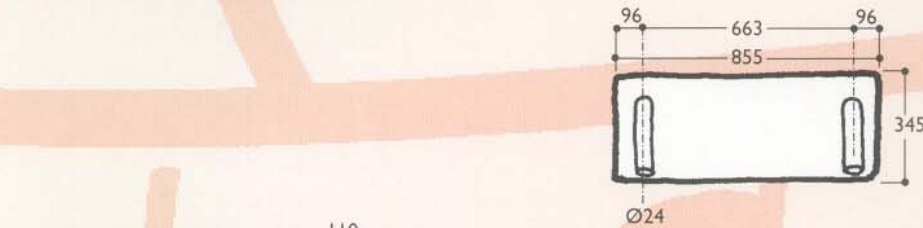
# Specifications



FASCIA



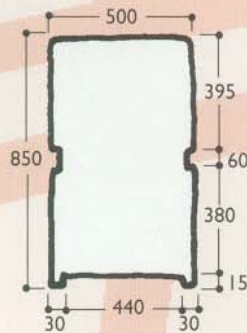
ROOF KIT



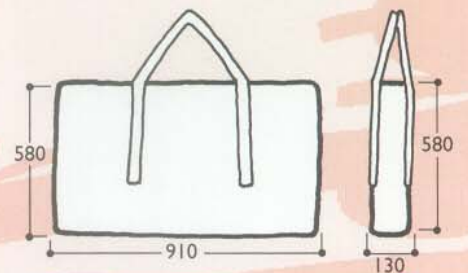
POLES (H)



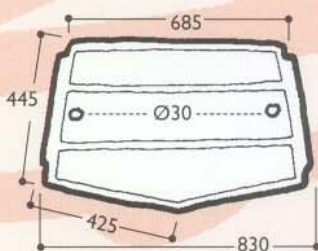
SIDE  
2 SHELVES



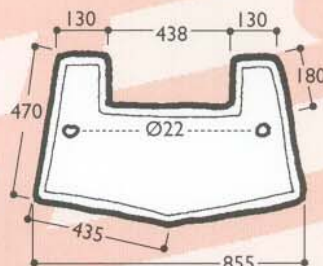
DOOR



BAG



SHELF



BOTTOM

	Kg
Stiftop	1.48
Top	1.15
Shelf	1.09
Bottom	0.96
Body Sheet	4.63
Pole Set (6 pieces)	2.40
Fascia	0.72
Roof Kit	1.57
Door Panel	0.85
Bag	1.40

## PACKING

Individual Carton .....1.00  
 920mm x 560mm x 150mm  
 Roof Kit .....0.62  
 875mm x 480mm x 76mm  
 Bulk packaging, dimensions and weight dependent on number of units required.

